

This Page Supersedes

SERIES:

PAGE:

DATE: 6-4-85

# SALES AND ENGINEERING DATA

## MATERIAL PUMP ASS'Y

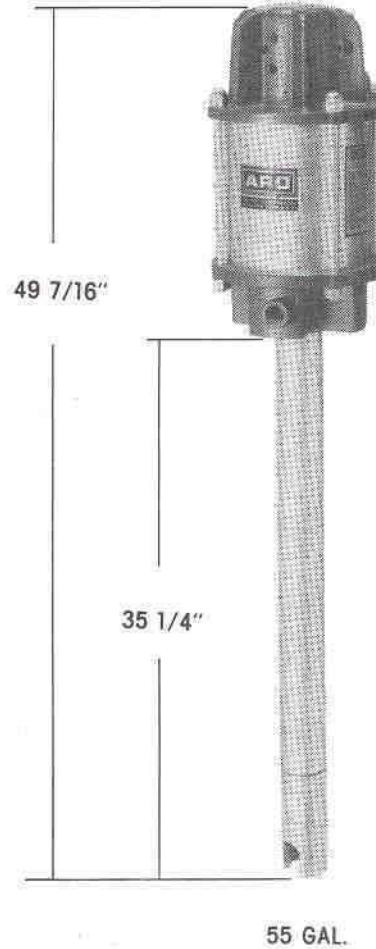
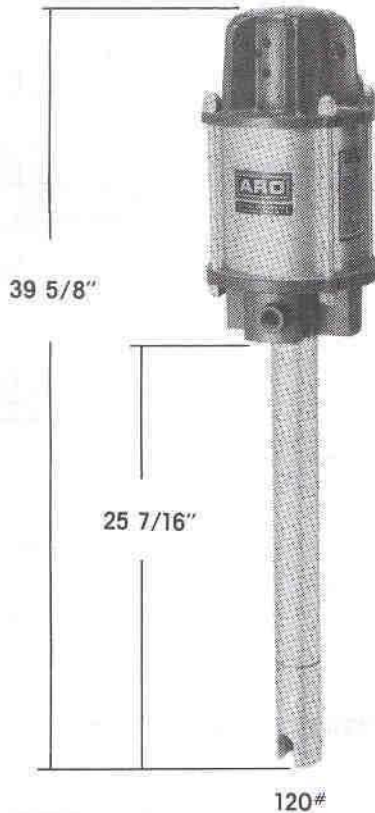
6" AIR MOTOR, 4" STROKE - 100:1 RATIO  
120 # & 55 GALLON SIZE

SERIES: 100:1 RATIO

PAGE

DATE: 5-27-10 (REV. 02)  
S-1405

### DIMENSIONAL DATA



DISPLACEMENT PER CYCLE — 2.31 CU. IN.  
CYCLES PER POUND — 12.5

MODEL NO.	662605 (120# UNIT)	662608 (55 GAL. UNIT)
AIR MOTOR ASS'Y	65645	65645
AIR INLET SIZE	1/2" NPTF	1/2" NPTF
MAT'L. OUTLET SIZE	1/2" NPTF (F)	3/4" NPTF (F)
UPPER CASTING	ALUM CASTING W/ CARBON ST'L INSERT	ALUM CASTING W/ CARBON ST'L INSERT
CYLINDER	CARBON ST'L	CARBON ST'L
PLUNGER ROD	CARBON ST'L	CARBON ST'L
UPPER BALL	CHROME ST'L	CHROME ST'L
UPPER BALL SEAT	CARBON ST'L	CARBON ST'L
LOWER BALL SEAT	CARBON ST'L	CARBON ST'L
FOOT VALVE	CARBON ST'L W/ PTFE PACKING	CARBON ST'L W/ PTFE PACKING
UPPER VALVE	CARBON ST'L	CARBON ST'L
LOWER VALVE	CARBON ST'L	CARBON ST'L

CCN 15269376

PRINTED IN U.S.A.  
© 2010 THE ARO CORPORATION

**THE ARO CORPORATION**

ONE ARO CENTER, BRYAN, OHIO 43506

PH (419)636-4242 • TWX 810-443-2994 • TELEX 286456 • TRT TLX 196120



# SALES AND ENGINEERING DATA

## PERFORMANCE CURVES

6" AIR MOTOR, 4" STROKE - 100:1 RATIO  
120 # & 55 GALLON SIZE

This Page Supersedes

SERIES: 100:1 RATIO

PAGE:

DATE: 6-4-85

SERIES:

PAGE

DATE:

