

# SALES & ENGINEERING DATA

RATIO SERIES: **1:1**

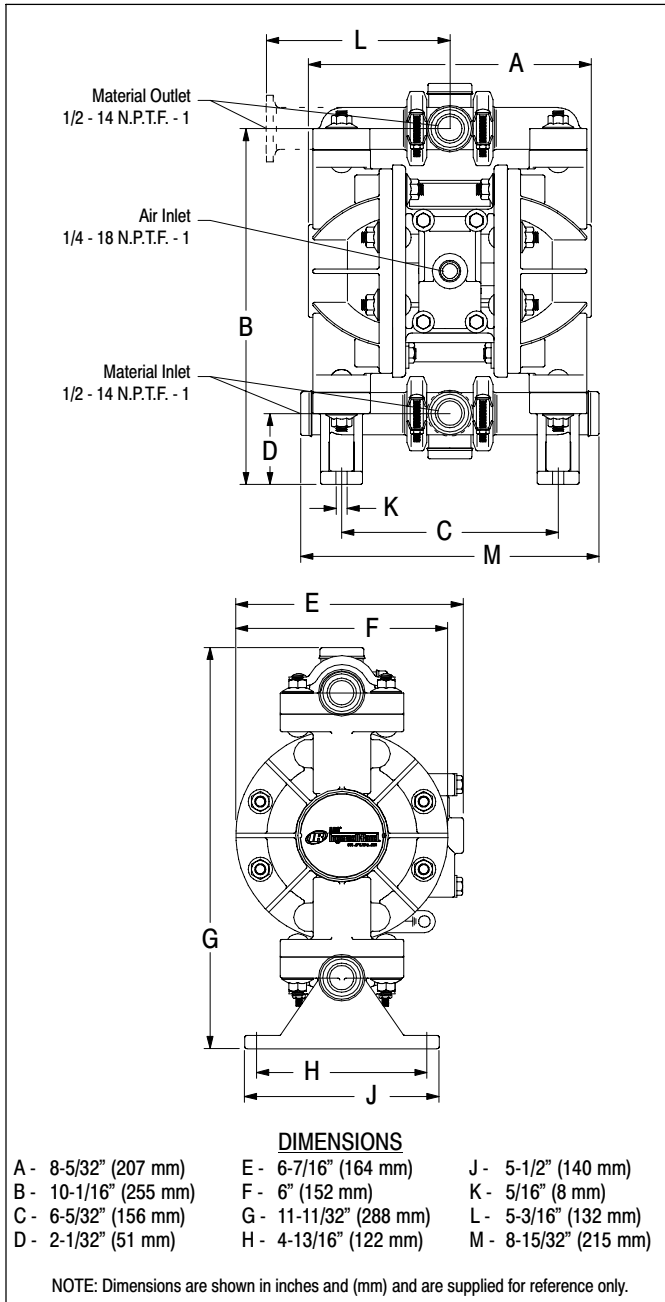
FLUID PSI RANGE: **20 - 100**

**66605X-XXX**

**1/2" NON-METALLIC DIAPHRAGM PUMP**

RELEASED: 1-31-97  
 REVISED: 6-7-10  
 (REV. E) S-875

## DIMENSIONAL DATA



## SPECIFICATIONS

### CONSTRUCTION

Model Series	66605X-XXX
Pump Type	Non-Metallic, Air Operated, Double Diaphragm <sup>③</sup>
Ratio	1:1
Material Inlet / Outlet (female)	1/2 - 14 N.P.T.F. - 1
Air Inlet (female)	1/4 - 18 N.P.T.F. - 1
Air Exhaust	standard internal optional (female) 3/8 - 18 N.P.T.F. - 1
Weight	Polypropylene 7.2 lbs (3.3 kgs) Groundable Acetal 8.8 lbs (4.0 kgs) Kynar PVDF 5 lbs (4.3 kgs)
Air Section Service Kit	637141
Fluid Section Service Kit	637140-XX

66605X - X

637140 -

Diaphragm Material  
Ball Material

EXAMPLE: Model 66605J-3EB  
 Fluid Section Service Kit is 637140-EB

### PERFORMANCE

Air Inlet Pressure Range	20 - 100 p.s.i. (1.4 - 6.9 bar)
Maximum Material Inlet Pressure	10 p.s.i. (0.69 bar)
Fluid Pressure Range	20 - 100 p.s.i. (1.4 - 6.9 bar)
Maximum Flow Rate (flooded inlet)	
ball check	13 g.p.m. (49.2 l.p.m.)
duckbill	10 g.p.m. (37.9 l.p.m.)
Maximum Particle Size	
ball check	3/32" dia. (2.4 mm)
duckbill	fibers
Maximum Temperature Limits (diaphragm / ball / seal material)	
E.P.R.	-60° to 280° F (-51° to 138° C)
Groundable Acetal	10° to 180° F (-12° to 82° C)
Hytrek	-20° to 150° F (-29° to 66° C)
Kynar PVDF	10° to 200° F (-12° to 93° C)
Neoprene	0° to 200° F (-18° to 93° C)
Nitrile	10° to 180° F (-12° to 82° C)
Polypropylene	35° to 150° F (2° to 66° C)
Polyurethane	10° to 150° F (-12° to 66° C)
Santoprene	-40° to 225° F (-40° to 107° C)
PTFE	40° to 225° F (4° to 107° C)
Viton	-40° to 350° F (-40° to 177° C)
Displacement / Cycle @ 100 p.s.i.	
ball check	0.040 gal. (0.15 lit.)
duckbill	0.032 gal. (0.12 lit.)
Noise Level @ 70 p.s.i. - 60 c.p.m. <sup>①</sup>	71.1 db(A) <sup>②</sup>

### Notes:

- ① Tested with 66972 muffler installed.
- ② The pump sound pressure level has been updated to an Equivalent Continuous Sound Level (L<sub>Aeq</sub>) to meet the intent of ANSI S1. 13-1971, CAGI-PNEUROPS S5.1 using four microphone locations.
- ③ 666056-XXX models are constructed of a groundable acetal. The material's conductivity allows it to be connected to a suitable ground.

### ACCESSORIES:

- 66073-1 Air Line Connection Kit
- 93092 Exhaust Cover\*
- 93107 Gasket\*
- 93110 Muffler\*

\* External muffler for piped exhaust applications.

### INGERSOLL RAND COMPANY LTD

209 NORTH MAIN STREET - BRYAN, OHIO 43506

① (800) 495-0276 • FAX(800) 892-6276

www.ingersollrandproducts.com

© 2010

CCN 15268519

# ARO

**IR** Ingersoll Rand  
Industrial Technologies

# PERFORMANCE CURVES

## 66605X-XXX 1/2" NON-METALLIC DIAPHRAGM PUMP

